


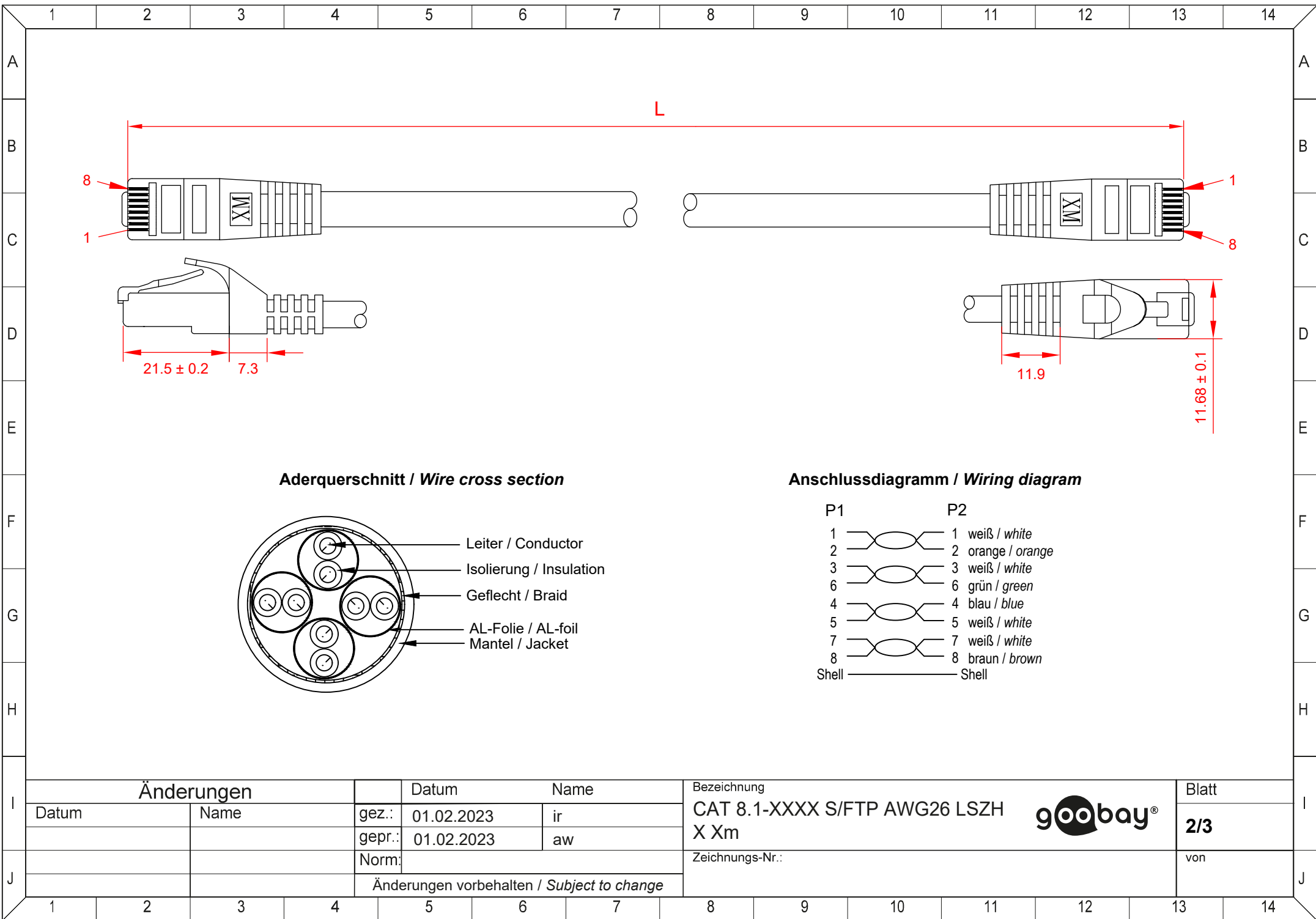
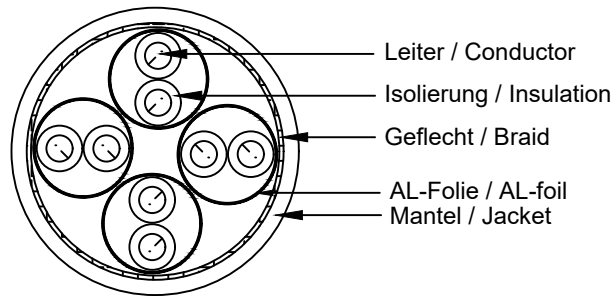


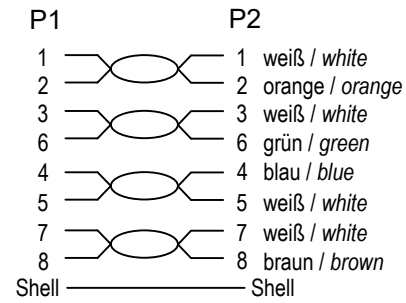
| | | | | | | | | | | | | | | | | | | | | | | | | | | | | | |
|---|--|---|------|---|--|--|----|------|---------------------------------------|--|----|----|----|---|-------|-----------------|--|-----|--|--|--|--|--|--|--|--|--|--|--|
| | 1 | 2 | 3 | 4 | 5 | 6 | 7 | 8 | 9 | 10 | 11 | 12 | 13 | 14 | | | | | | | | | | | | | | | |
| A |  | | | | <h3>RJ45-Netzwerkkabel der Kategorie 8.1</h3> <ul style="list-style-type: none"> - LAN-Kabel unterstützt 25GBase-T und 40GBase-T Ethernet-Netzwerke (40-gigabitfähig) und ist abwärtskompatibel zu 10BASE-T, 100BASE-TX und 1000BASE-T - mit einer Übertragungsbandbreite von bis zu 2.000 MHz besitzt das Ethernetkabel die 4-fache Bandbreite von CAT-6A-Kabeln - S/FTP-Gesamtschirmung: Aluminium-Folienschirmung für einzelne Adernpaare (PiMF) und Aluminium-Geflechschirmung für den Kabelmantel - beidseitig ausgestattet mit RJ45-Steckern (8P8C) mit 50 µm vergoldeten Kontaktflächen und Rastnasenschutz - CAT-8-LAN-Kabel ist für Power over Ethernet (PoE, PoE+, UPoE, 4PPoE) und HDBaseT geeignet. - raucharmer und halogenfreier LSZH-Kabelmantel für erhöhte Sicherheit - die Produkte sind nur mit einem Papieretikett gekennzeichnet, auf Plastiktüten und Kunststoffkabelbinder wird verzichtet - gilt nur für Kabel mit einer Länge von bis zu 3 m: GHMT-zertifiziert für eine Übertragungsstrecke von 1x 24 m Verlegekabel plus 2x 3 m Patchcord im 2-Connector Channel (8.1-Standard Class I mit einer Betriebsfrequenz bis zu 2 GHz) | | | | | <h3>RJ45 Network Cable Category 8.1</h3> <ul style="list-style-type: none"> - the LAN cable supports 25GBase-T and 40GBase-T Ethernet networks (40-gigabit capable) and is backwards compatible with 10BASE-T, 100BASE-TX and 1000BASE-T. - with a transmission bandwidth of up to 2,000 MHz, the Ethernet cable has 4 times the bandwidth of a CAT 6A cable - S/FTP overall shield: aluminium foil shield for individual wire pairs (PiMF) and aluminium braid shield for the cable sheath - assembled on both ends with RJ45 connectors (8P8C) with 50 µm gold-plated contact surfaces and latch protection - CAT 8 LAN cable is suitable for Power over Ethernet (PoE, PoE+, UPoE, 4PPoE) and HDBaseT - low-smoke and halogen-free LSZH cable sheath for increased safety - the products are only labelled with a paper label, plastic bags and plastic cable ties are not used - only applies to cables up to 3 m long: GHMT-certified for a transmission distance of 1x 24 m installation cable plus 2x 3 m patch cord in a 2-connector channel (8.1 Standard Class I with an operating frequency of up to 2 GHz) | | | | | | | | | | | | | | | | | | | |
| B | | | | | | | | | | | | | | | | | | | | | | | | | | | | | |
| C | | | | | | | | | | | | | | | | | | | | | | | | | | | | | |
| D | | | | | | | | | | | | | | | | | | | | | | | | | | | | | |
| E | | | | | | | | | | | | | | | | | | | | | | | | | | | | | |
| F |  | | | | Spezifikation: CAT 8.1 Kabeltyp: CAT-8.1-Rohkabel Material Innenleiter: CU (Kupfer) AWG: 26/7 (stranded) Schirmungsklasse: S/FTP (PiMF) Anzahl Schirmungen: 2x Schirmung Typ 1: Folie (Aluminium) PiMF Schirmung Typ 2: Geflecht (Aluminium) Gesamtschirm Material Kabelmantel: LSZH Durchmesser Kabelmantel: ca. 6,2 mm LSZH-konform: ja Knickschutz: beidseitig Anschlüsse: 2x RJ45-Stecker (8P8C) Anschluss Schirmung: ja Kontakte: vergoldet (50 µm) Gehäusematerial: PVC Rastnasenschutz: beidseitig Kontaktierung: EIA/TIA-568B | | | | | Specification: CAT 8.1 Cable type: CAT 8.1 raw cable Inner conductor material: CU (copper) AWG: 26/7 (stranded) Shielding class: S/FTP (PiMF) Number of shieldings: 2x Shielding type 1: Foil (aluminium) PiMF Shielding type 2: Braid (aluminium) overall shield Cable sheath material: LSZH Cable sheath diameter: (approx.) 6.2 mm LSZH-compliant: yes Kink protection: both sides Connections: 2x RJ45 male (8P8C) Connection shielding: yes Contacts: gold-plated (50 µm) Housing material: PVC Latch protection: both sides Contacting: EIA/TIA-568B | | | | | | | | | | | | | | | | | | | |
| G | | | | | | | | | | | | | | | | | | | | | | | | | | | | | |
| H | | | | | | | | | | | | | | | | | | | | | | | | | | | | | |
| I | Änderungen | | | | | Datum | | Name | | Bezeichnung | | | | | Blatt | | | | | | | | | | | | | | |
| | Datum | | Name | | gez.: | 01.02.2023 | ir | | CAT 8.1-XXXX S/FTP AWG26 LSZH X Xm | | | | |  | | 1/3 | | | | | | | | | | | | | |
| | | | | | gepr.: | 01.02.2023 | aw | | | | | | | | | Zeichnungs-Nr.: | | von | | | | | | | | | | | |
| J | | | | | Norm: | Änderungen vorbehalten / Subject to change | | | | | | | | | | | | | | | | | | | | | | | |
| | 1 | 2 | 3 | 4 | 5 | 6 | 7 | 8 | 9 | 10 | 11 | 12 | 13 | 14 | | | | | | | | | | | | | | | |



Aderquerschnitt / Wire cross section



Anschlussdiagramm / Wiring diagram



Änderungen

| Änderungen | | Datum | Name | Bezeichnung | Blatt |
|--|------|-------------------|------|---------------------------------------|-------|
| Datum | Name | gez.: 01.02.2023 | ir | CAT 8.1-XXXX S/FTP AWG26 LSZH X Xm | 2/3 |
| | | gepr.: 01.02.2023 | aw | | |
| | | Norm: | | Zeichnungs-Nr.: | von |
| Änderungen vorbehalten / Subject to change | | | | | |



| | 1 | 2 | 3 | 4 | 5 | 6 | 7 | 8 | 9 | 10 | 11 | 12 | 13 | 14 | | |
|---|--------------------------------|--|---|--|--------|---|----------------|-----------------|-------------------------------|---|----|---------------------------|-------|-----------------------|--|--|
| A | Art.-Nr. / Item No. | ERP Name / ERP Name | | | | Produktname / Product Name | | | | GHMT-Zertifizierung / GHMT certification | | Länge / Length (L) | | Farbe / Colour | | |
| B | 61091 | CAT 8.1-0025 S/FTP AWG26 LSZH BLACK 0.25m GHMT | | | | GHMT-zertifiziertes CAT 8.1 Patchkabel, S/FTP (PiMF) / GHMT-certified CAT 8.1 S/FTP Patch Cord | | | | ja / yes | | 250 ± 10 mm | | schwarz / black | | |
| | 61092 | CAT 8.1-0050 S/FTP AWG26 LSZH BLACK 0.50m GHMT | | | | | | | | | | 500 ± 20 mm | | | | |
| | 61093 | CAT 8.1-0100 S/FTP AWG26 LSZH BLACK 1m GHMT | | | | | | | | | | 1000 ± 20 mm | | | | |
| | 61094 | CAT 8.1-0200 S/FTP AWG26 LSZH BLACK 2m GHMT | | | | | | | | | | 2000 ± 30 mm | | | | |
| | 61095 | CAT 8.1-0300 S/FTP AWG26 LSZH BLACK 3m GHMT | | | | | | | | | | 3000 ± 50 mm | | | | |
| C | 61096 | CAT 8.1-0500 S/FTP AWG26 LSZH BLACK 5m | | | | CAT-8.1-Patchkabel, S/FTP (PiMF) / CAT 8.1 S/FTP Patch Cord | | | | nein / no | | 5000 ± 100 mm | | | | |
| | 61097 | CAT 8.1-0750 S/FTP AWG26 LSZH BLACK 7.5m | | | | 7500 ± 150 mm | | | | | | | | | | |
| | 61098 | CAT 8.1-1000 S/FTP AWG26 LSZH BLACK 10m | | | | 10000 ± 300 mm | | | | | | | | | | |
| | 61099 | CAT 8.1-1500 S/FTP AWG26 LSZH BLACK 15m | | | | 15000 ± 300 mm | | | | | | | | | | |
| D | 61100 | CAT 8.1-2000 S/FTP AWG26 LSZH BLACK 20m | | | | RJ45-Patchkabel mit CAT 8.1 S/FTP Rohkabel / RJ45 Patch Cord with CAT 8.1 S/FTP Raw Cable | | | | | | 20000 ± 300 mm | | | | |
| | 61102 | CAT 8.1-0025 S/FTP AWG26 LSZH WHITE 0.25m GHMT | | | | GHMT-zertifiziertes CAT 8.1 Patchkabel, S/FTP (PiMF) / GHMT-certified CAT 8.1 S/FTP Patch Cord | | | | ja / yes | | 250 ± 10 mm | | weiß / white | | |
| E | 61103 | CAT 8.1-0050 S/FTP AWG26 LSZH WHITE 0.50m GHMT | | | | | | | | | | 500 ± 20 mm | | | | |
| | 61104 | CAT 8.1-0100 S/FTP AWG26 LSZH WHITE 1m GHMT | | | | | | | | | | 1000 ± 20 mm | | | | |
| F | 61105 | CAT 8.1-0200 S/FTP AWG26 LSZH WHITE 2m GHMT | | | | | | | | | | 2000 ± 30 mm | | | | |
| | 61106 | CAT 8.1-0300 S/FTP AWG26 LSZH WHITE 3m GHMT | | | | | | | | | | 3000 ± 50 mm | | | | |
| | 61107 | CAT 8.1-0500 S/FTP AWG26 LSZH WHITE 5m | | | | CAT-8.1-Patchkabel, S/FTP (PiMF) / CAT 8.1 S/FTP Patch Cord | | | | nein / no | | 5000 ± 100 mm | | | | |
| G | 61108 | CAT 8.1-0750 S/FTP AWG26 LSZH WHITE 7.5m | | | | 7500 ± 150 mm | | | | | | | | | | |
| | 61109 | CAT 8.1-1000 S/FTP AWG26 LSZH WHITE 10m | | | | 10000 ± 300 mm | | | | | | | | | | |
| | 61110 | CAT 8.1-1500 S/FTP AWG26 LSZH WHITE 15m | | | | 15000 ± 300 mm | | | | | | | | | | |
| | 61111 | CAT 8.1-2000 S/FTP AWG26 LSZH WHITE 20m | | | | 20000 ± 300 mm | | | | | | | | | | |
| H | 61113 | CAT 8.1-0025 S/FTP AWG26 LSZH GREY 0.25m GHMT | | | | GHMT-zertifiziertes CAT 8.1 Patchkabel, S/FTP (PiMF) / GHMT-certified CAT 8.1 S/FTP Patch Cord | | | | ja / yes | | 250 ± 10 mm | | grau / grey | | |
| | I | 61114 | CAT 8.1-0050 S/FTP AWG26 LSZH GREY 0.50m GHMT | | | | | | | | | 500 ± 20 mm | | | | |
| | | 61115 | CAT 8.1-0100 S/FTP AWG26 LSZH GREY 1m GHMT | | | | | | | | | 1000 ± 20 mm | | | | |
| | | 61116 | CAT 8.1-0200 S/FTP AWG26 LSZH GREY 2m GHMT | | | | | | | | | 2000 ± 30 mm | | | | |
| | | 61117 | CAT 8.1-0300 S/FTP AWG26 LSZH GREY 3m GHMT | | | | | | | | | 3000 ± 50 mm | | | | |
| J | 61118 | CAT 8.1-0500 S/FTP AWG26 LSZH GREY 5m | | | | CAT-8.1-Patchkabel, S/FTP (PiMF) / CAT 8.1 S/FTP Patch Cord | | | | nein / no | | 5000 ± 100 mm | | | | |
| | K | 61119 | CAT 8.1-0750 S/FTP AWG26 LSZH GREY 7.5m | | | | 7500 ± 150 mm | | | | | | | | | |
| | | 61120 | CAT 8.1-1000 S/FTP AWG26 LSZH GREY 10m | | | | 10000 ± 300 mm | | | | | | | | | |
| | | 61121 | CAT 8.1-1500 S/FTP AWG26 LSZH GREY 15m | | | | 15000 ± 300 mm | | | | | | | | | |
| L | 61122 | CAT 8.1-2000 S/FTP AWG26 LSZH GREY 20m | | | | RJ45-Patchkabel mit CAT 8.1 S/FTP Rohkabel / RJ45 Patch Cord with CAT 8.1 S/FTP Raw Cable | | | | | | 20000 ± 300 mm | | | | |
| | Änderungen | | | | Datum | | Name | | Bezeichnung | | | | Blatt | | | |
| | Datum | | Name | | gez.: | 01.02.2023 | ir | | CAT 8.1-XXXX S/FTP AWG26 LSZH | | | | 3/3 | | | |
| | | | | | gepr.: | 01.02.2023 | aw | | X Xm | | | | | | | |
| | | | | Norm: | | | | Zeichnungs-Nr.: | | | | von | | | | |
| | | | | Änderungen vorbehalten / Subject to change | | | | | | | | | | | | |
| | 1 | 2 | 3 | 4 | 5 | 6 | 7 | 8 | 9 | 10 | 11 | 12 | 13 | 14 | | |

